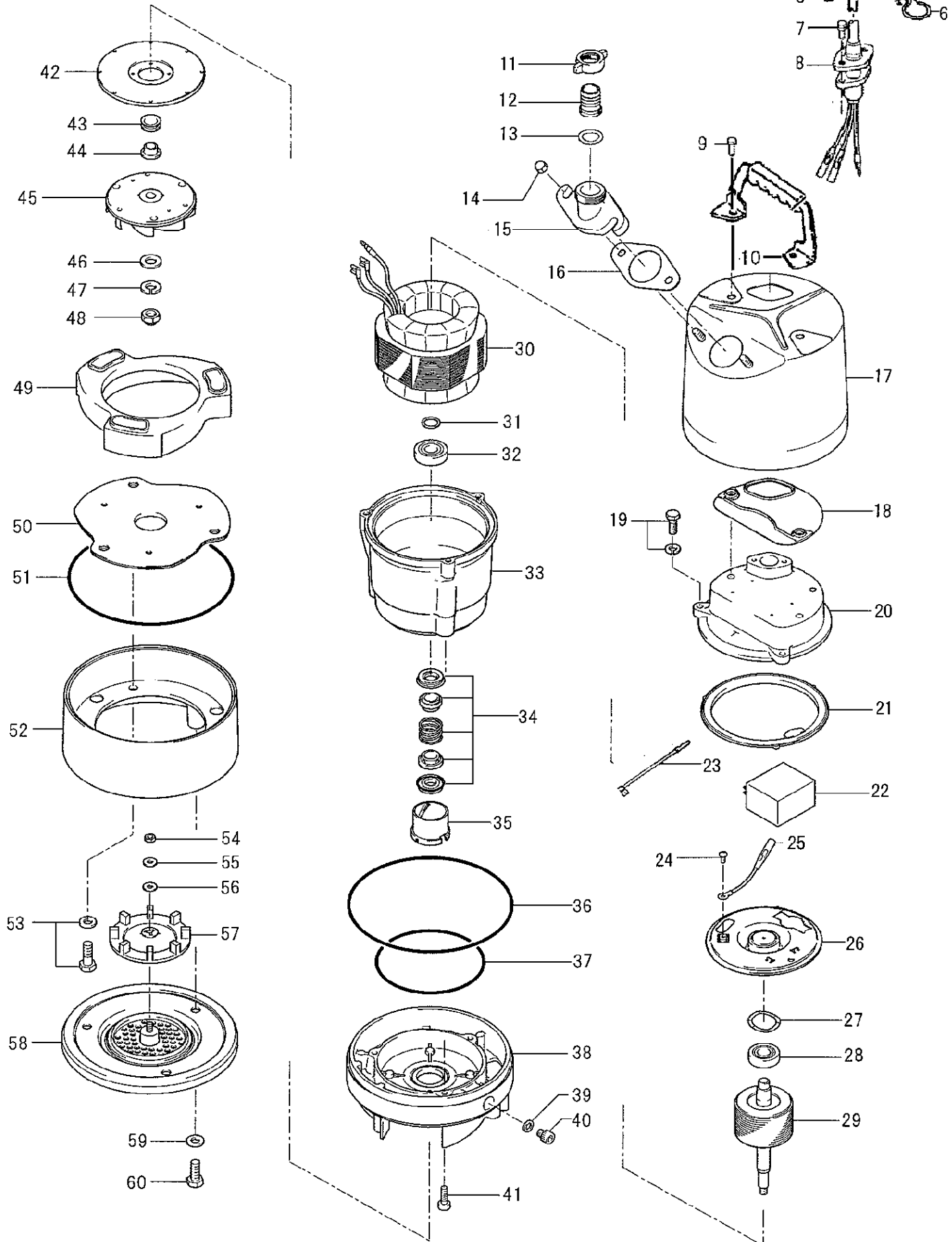


EXPLODED VIEW

LSC1. 4S-51 (EUR)



MODEL NO,"LSC1.4S-51(EUR)"

No,"PARTS NO.,"DESCRIPTION", "Q'TY", "SPECIFICATION", "MATERIALS", "WEIGHT(kg)", ""
1,"801-00100743-9", "Cabtyre Cable Set (10m)220/230/240V-50Hz(EUR)", "1", "H07RNF3Gx1mm2(EUR-P)",
1,"801-00100948-9", "Cabtyre Cable Set (10m)220/230/240V-50Hz(EUR)", "1", "H07RN8F3Gx1mm2(EUR-P)",
2,"801-01016215-9", "Cable Clip Rubber", "1", "LB2-400", "NBR", "", "220"
3,"801-14100358-9", "Hex.Nut", "1", "M5", "SWRM", "0.001", "36"
4,"801-14001521-9", "Hex.Bolt", "1", "M5x10", "SWRM", "", "40"
5,"801-01010510-9", "Cable Clip", "1", "SB", "SPC", "0.01", "300"
6,"801-01110018-9", "Shackle", "1", "S-8", "SS", "0.01", "132"
7,"801-14042717-9", "Hex.Bolt (w/Plain Washer)", "2", "M5x15", "SUS304", "0.001", "96"
8,"801-00319010-9", "Gland", "1", "", "SUS316", "0.01", "780"
9,"801-14050318-9", "Hex.Bolt (w/Plain Washer)", "2", "M8x16", "SUS304", "", "156"
10,"801-06828918-9", "Handle", "1", "PC90-108 H=125", "SPC+NBR", "", "1860"
11,"801-12800001-9", "Union", "1", "PF-1", "ADC", "", "840"
12,"801-03200020-9", "Hose Coupling", "1", "LSC/LSP, 25A", "ADC", "", "420"
13,"801-12100021-9", "Packing", "1", "LSC/LSP, 25A", "NBR", "", "*" "
14,"801-14114410-9", "Hex.Nut (w/Flange)", "2", "M8", "SUS304", "0.008", "320"
15,"801-03200019-9", "Hose Coupling", "1", "LSC1.4S-51/61", "ADC", "", "1480"
16,"801-12158717-9", "Packing", "1", "LB-250/480-51/61", "NBR", "0.001", "*" "
17,"801-06500018-9", "Outer Cover", "1", "LSC, Orange (2.5YR5/13)", "SPC", "", "9780"
18,"801-12143418-9", "Packing", "1", "LB3-250/480", "Synthetic Rubber", "0.013", "*" "
19,"801-14039616-9", "Hex.Bolt (w/Plain Washer)", "3", "M6x20", "SUS304", "0.008", "100"
20,"801-05128219-9", "Head Cover", "1", "", "ADC", "0.79", "7520"
21,"801-12154614-9", "Packing", "1", "d120xd142x6.2t", "NBR", "0.02", "*" "
22,"801-07616118-9", "Capacitor 220/230/240V-50Hz(EUR)", "1", "SH-CAP,8MF-580VAC(three terminals)
23,"801-00928915-9", "Intermediate Lead Wire", "1Set", "AWG16x110(Red)", "", "", "500"
24,"801-14320314-9", "Pan Screw", "1", "M4x5", "C360", "", "28"
25,"801-00900116-9", "Earth Terminal", "1Set", "UL1015-AWG18,G/Y,L=132", "", "", "500"
26,"801-05048612-9", "Motor Bracket", "1", "", "SECD", "", "2920"
27,"801-14219216-9", "Wave Washer", "1", "6201(D=32,t=0.4)", "SK5", "0.001", "360"
28,"801-05210015-9", "Bearing", "1", "6201ZZC3", "", "0.037", "1000"
29,"801-05588914-9", "Rotor", "1Set", "w/Bearing", "", "", "26800"
30,"801-056C7019-9", "Stator 220/230/240V-50Hz(EUR)", "1Set", "w/Miniature Protector", "", "", "30000"
31,"801-06118017-9", "Bearing Collar", "1", "d15.1xd20x1.6t", "SS", "0.023", "580"
32,"801-05210116-9", "Bearing", "1", "6202ZZC3", "", "0.045", "1260"
33,"801-06450814-9", "Motor Frame", "1", "", "ADC", "1.2", "14180"
34,"801-02529110-9", "Mechanical Seal", "1", "W-14VL", "SSiC", "0.05", "4920"
35,"801-03000009-9", "Oil Lifter", "1", "W-14VL", "Resin", "0.009", "220"
36,"801-12245316-9", "O-Ring", "1", "172xd2.7", "NBR", "0.001", "*" "
37,"801-12213317-9", "O-Ring", "1", "G-110(109.4xd3.1)", "NBR", "0.001", "*" "
38,"801-02900070-9", "Oil Casing", "1", "LB-250/480-51/61", "ADC", "1.02", "7480"
39,"801-12124611-9", "Packing", "1", "d10.3xd16x2t", "PE", "0.001", "*" "
40,"801-03512412-9", "Oil Plug", "1", "M10x15", "SUS304", "0.019", "340"
41,"801-14025219-9", "Hex.Socket Cap Bolt", "3", "M6x20", "SUS304", "0.001", "220"
42,"801-03100012-9", "Wear Ring", "1", "LSC1.4S-51/61", "SPC+Rubber", "0.105", "1960"
43,"801-12244111-9", "V-Ring", "1", "VR-14", "NBR", "0.001", "480"
44,"801-07129214-9", "Shaft Sleeve", "1", "LB3-250/480", "SUS304", "0.001", "560"
45,"801-02100743-9", "Impeller (50Hz)", "1", "LSC1.4S-51", "Urethane Rubber", "0.145", "2640"
46,"801-14212710-9", "Plain Washer", "1", "M8", "SUS304", "0.001", "36"
47,"801-14216318-9", "Spring Washer", "1", "M8", "SUS304", "0.001", "36"
48,"801-14103012-9", "Hex.Cap Nut", "1", "M8", "SUS304", "0.001", "340"
49,"801-020B8919-9", "Pump Casing", "1", "LB-250/480-51/61", "Synthetic Rubber", "0.25", "3240"
50,"801-02200127-9", "Suction Cover", "1", "LSC1.4S-51/61", "SPC+Rubber", "0.43", "4400"
51,"801-12245316-9", "O-Ring", "1", "172xd2.7", "NBR", "0.001", "*" "
52,"801-02300189-9", "Stand", "1", "LSC1.4S-51/61(Black)", "ADC", "", "4000"
53,"801-14047712-9", "Hex.Bolt (w/Plain Washer)", "3", "M8x30", "SUS304", "", "220"
54,"801-14100417-9", "Hex.Nut", "1", "M6", "SUS304", "0.001", "36"
55,"801-14222913-9", "Plain Washer", "1", "d6.5xd16x1t", "SUS304", "", "68"

56,"801-12126617-9","Packing","1","d6xd16x1t","NBR","","*"
57,"801-20301516-9","Swing Check Valve","1","LSC-4","SPC+NBR","0.055","5340"
58,"801-04900009-9","Bottom Plate","1","LSC1.4S-51/61","SPC+NBR","0.58","11560"
59,"801-14222216-9","Seal Washer","3","WF-8","SPC+NBR","","360"
60,"801-14005419-9","Hex.Bolt","3","M8x20","SUS304","0.013","152"
,"","<Packing O-Ring Set>","","","",""
,"801-17300040-9","Packing O-Ring Set","1Set","(Marked by *)","","0.07","4620"
13,"801-12100021-9","Packing (Union)","1","LSC/LSP, 25A","NBR","","*"
16,"801-12158717-9","Packing (Hose Coupling)","1","LB-250/480-51/61","NBR","0.001","*"
18,"801-12143418-9","Packing (Out.Cover/Head Cover)","1","LB3-250/480","Synthetic Rubber","0.013","*"
21,"801-12154614-9","Packing (Head Cover/M.Frame)","1","d120xd142x6.2t","NBR","0.02","*"
36,"801-12245316-9","O-Ring (Out.Cover/O.Casing)","1","172xd2.7","NBR","0.001","*"
37,"801-12213317-9","O-Ring (M.Frame/M.Bracket)","1","G-110(109.4xd3.1)","NBR","0.001","*"
39,"801-12124611-9","Packing (Oil Plug)","1","d10.3xd16x2t","PE","0.001","*"
51,"801-12245316-9","O-Ring (O.Casing/Stand)","1","172xd2.7","NBR","0.001","*"
56,"801-12126617-9","Packing (Swing Valve)","1","d6xd16x1t","NBR","","*"
,"","Lubricant","","Turbine Oil VG32 155ml","","",""